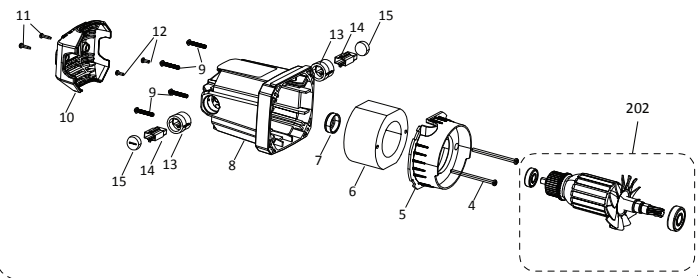
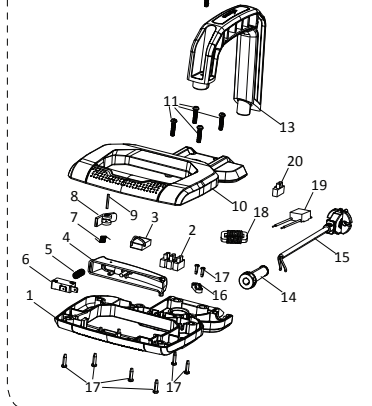


# S355 MCS

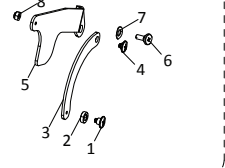
D - MOTOR GROUP



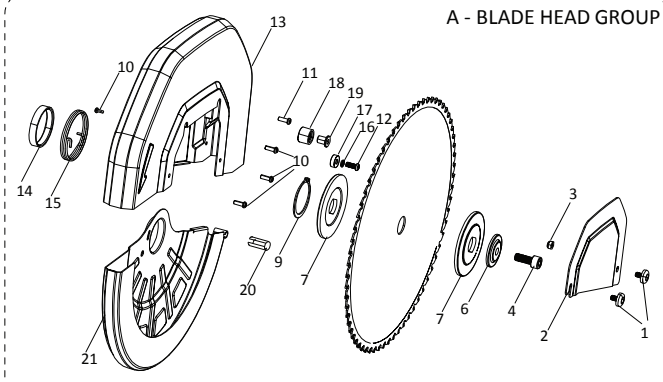
C - HANDLE GROUP



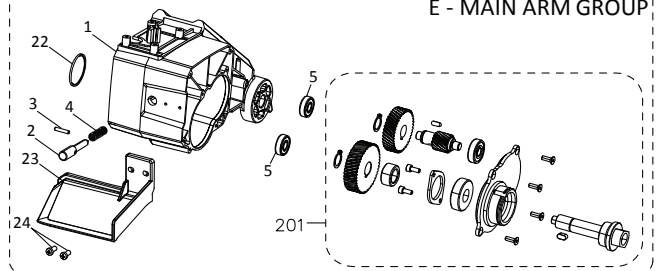
B - LINKAGE GROUP



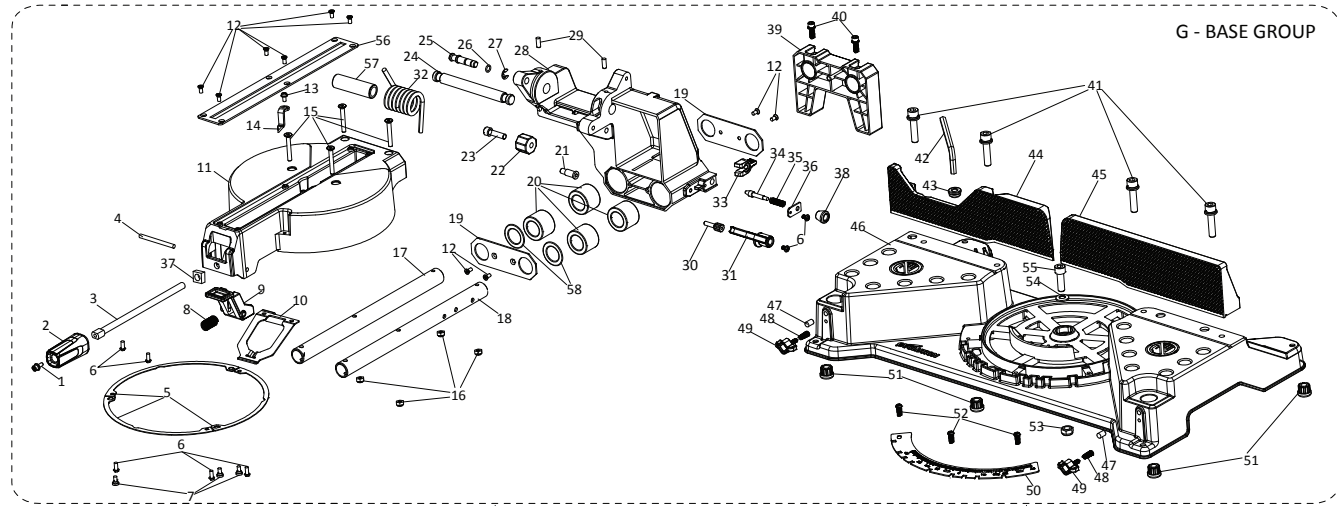
A - BLADE HEAD GROUP



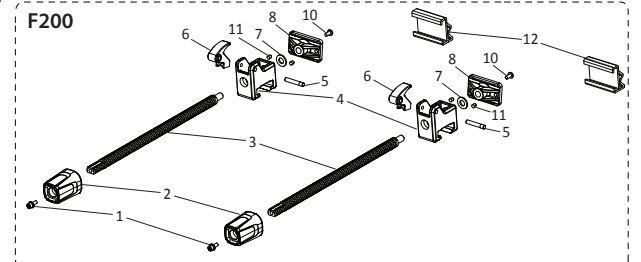
E - MAIN ARM GROUP



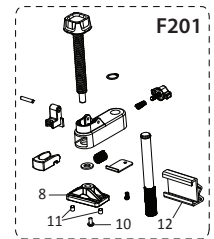
G - BASE GROUP



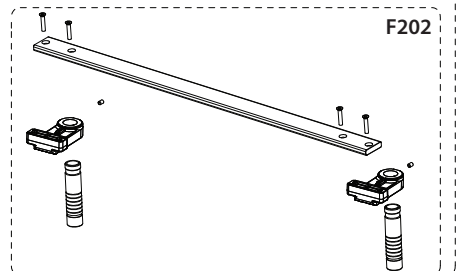
F200



F - CLAMP GROUP



F202



Service Parts List

V: 102-0004

355mm Mitre Chop Saw (Steel)

120V  
US



No.	Description	Part Code	Qty	No.	Description	Part Code	Qty	No.	Description	Part Code	Qty
A1	Arbour Cover Screw	083-0101	2	E3	Roller Pin 4x20	F-SDL-4-20--ST-BO	1	G38	Rail pin Cap	102-0150	1
A2	Arbour Cover	083-0102	1	E4	Locking Pin Spring	083-0162	1	G39	Rail Support Bracket	102-0151	1
A3	Locking Nut M6	F-NSH--M6-ST-BO	1	E5	Ball Bearing 6000 YQ	F-B-6000-2Z	2	G40	Hex bolt screw M6*20 with washer	F-SFCS-M6-20-ST-BO	2
A4	Socket Cap Screw M10x25	F-SHCS-M10-25-ST-BO	1	E22	Rubber Bearing Ring	083-0196	1	G41	Hex bolt screw M10*45 with washer	F-SFCS-M10-45-ST-BO	4
A6	Blade Washer	083-0103	1	E23	Chip Guard	084-0170	1	G42	Hexkey M6 & M10	F-HEXKEY-M6/10-ST-BO	1
A7	Flange 89	083-0104	2	E24	Cross head Screw M5x10	F-SPHPZ-M5-10-ST-BO	2	G43	Grommet	102-0152	1
A9	Circlip φ48	F-CCEXT-48-120-ST-BO	1	E201	Gearbox Assembly (S355)	084-0055	1	G44	Left fence	102-0153	1
A10	Pozi Pan Head Screw M5x14	F-SPHPZ-M5-14-ST-BO	4					G45	Right fence	102-0154	1
A11	Spring Washer φ5	F-SWA-M5-ST-BO	3	F1	Hex bolt M5*16 with washer	F-SFCS-M5-16-ST-BO	2	G46	Base	102-0155	1
A12	Pozi Pan Head Screw M6x12	F-SPHPZ-M6-12-ST-BO	1	F2	Banner lock knob	102-0101	2	G47	Bearing screw M8*12	102-0156	2
A13	Blade Head Assembly 355	083-0105	1	F3	Banner rod	102-0102	2	G48	Wing spring	102-0157	2
A14	Moving Guard Spring Spacer 355	083-0106	1	F4	Sliding Base	102-0103	2	G49	Wing screw	102-0158	2
A15	Moving Guard Spring	083-0107	1	F5	Clamp pin	102-0104	2	G50	Mitre Plate	102-0159	1
A16	Socket Cap Screw M5x12	F-SHCS-M5-12-ST-BO	1	F6	Banner move nut	102-0105	2	G51	Rubber foot	102-0160	4
A17	Ball Bearing 606	F-B-606-2Z	1	F7	Washer 20*10*2	F-W-M10-ST-BO	3	G52	Cross head screw M6*12	F-SPHPZ-M6-12-ST-BO	3
A18	Bump Stop	083-0108	1	F8	Workpiece clamp	102-0106	3	G53	Lock nut M10	F-NNIF-M10-ST-BO	1
A19	Bump Stop Fixing	083-0109	1	F10	Cross head screw M5*12 with washer	F-SPHPZ-M5-12-ST-BO	3	G54	Washer 10mm	F-W-M10-ST-BO	1
A20	Slider Cap	083-0110	1	F11	Spring Bearing Insert	102-0107	6	G55	Hex bolt screw M10*35	F-SHCS-M10-35-ST-BO	1
A21	Moving Guard Assembly 355	083-0111	1	F12	V clamp extrusions	102-0108	3	G56	Kerf plate	102-0162	1
								G58	Felt Washer	102-0163	2
B1	Linkage Shoulder Screw Upper	083-0115	1	F200	Front Clamp Assembly	102-0200	1				
B2	Screw Spacer	083-0116	1								
B3	Small Linkage	083-0117	1	F201	Top Clamp Assembly	102-0201	1				
B4	Linkage Shoulder Screw Middle	083-0118	1								
B5	Main Linkage	083-0119	1	F202	Clamp Bar Assembly	102-0202	1				
B6	Linkage Shoulder Screw Lower	083-0120	1								
B7	Wave Washer M10	F-WW-M10-ST-BO	1	G1	Hex bolt M5*16 with washer	F-SFCS-M5-16-ST-BO	1				
B8	Nut M6	F-NNIF-M6-ST-BO	1	G2	Table Locking Knob (Blue)	102-0123	1				
				G3	Push Rod	102-0124	1				
C1	Main Handle Lower	083-0121	1	G4	Locking pin	102-0125	1				
C2	Terminal Block	083-0122	1	G5	friction washer	102-0126	3				
C3	Capacitor 110V	083-0124	1	G6	Cross head screw M5*12	F-SPHPZ-M5-12-ST-BO	5				
C4	Main Trigger Blue	084-0106	1	G7	Rail lock Screw	102-0127	3				
C5	Main Trigger Spring	083-0126	1	G8	Lever Spring	102-0128	1				
C6	Switch	083-0127	1	G9	Table positioning handle (Blue)	102-0129	1				
C7	Trigger Lock Spring	083-0128	1	G10	Table positioning Plate	102-0130	1				
C8	Lock Trigger	083-0129	1	G11	Table	102-0131	1				
C9	Trigger Lock Pin	083-0130	1	G12	Cross head screw M5*8	F-SCHS-M5-8-ST-BO	10				
C10	Main Handle Upper	083-0131	1	G13	Cross head screw M5*10 with washer	F-SPHPZ-M5-10-ST-BO	1				
C11	Pozi Pan Head Screw M5x30 w/ Washer	F-SPHPZ-M5-30-ST-BO	4	G14	Mitre Indicator (Blue)	102-0132	1				
C12	Pozi Pan Head Screw M5x30 w/ Washer	F-SPHPZ-M5-30-ST-BO	2	G15	Hex bolt M6*45	F-SCHS-M6-45-ST-BO	4				
C13	Carry Handle	083-0132	1	G16	Nut M6	F-NNIF-M6-ST-BO	4				
C14	Cable Sleeve Small	083-0133	1	G17	Left rail	102-0133	1				
C15	Cable US 120V/R10ft	084-0110	1	G18	Right rail	102-0134	1				
C16	Cable Strain Clamp	083-0140	1	G19	Bevel Bracket Cover	102-0135	2				
C17	Pozi Pan Head Tapping Screw ST4x16	F-TFPX-4-16-ST-BO	8	G20	Rail Bearing φ40*φ25*30	102-0136	4				
				G21	Lock Down Pin	102-0137	1				
D4	Pozi Pan Head Tapping Screw ST5x80	F-TFPX-5-80-ST-BO	2	G22	Deep position cap	102-0138	1				
D5	Air Baffle 65	084-0125	1	G23	Hex bolt screw M8*30	F-SHCS-M8-30-ST-BO	1				
D6	Stator 65/110-120V 1600W/15A	084-0126	1	G24	Pivot Shaft	102-0139	1				
D7	Ball Bearing Cap	053-0270	1	G25	Pin	102-0140	1				
D8	Motor Housing	083-0150	1	G26	O ring 10*1.9	102-0141	1				
D9	Pozi Pan Head Screw M5x30 w/ Washer	F-SPHPZ-M5-30-ST-BO	4	G27	E clip 8mm	F-ECLIP-8-100-ST-BO	1				
D10	End Cap Blue	084-0131	1	G28	Neck- Bevel Bracket	102-0142	1				
D11	Pozi Pan Head Tapping Screw ST4x16	F-TFPX-4-16-ST-BO	2	G29	Set Screw M6*18	F-SSCFP-M6-8-ST-BO	2				
D12	Pozi Pan Head Screw M4x10	F-SPHPZ-M4-10-ST-BO	2	G30	Rail lock pin	102-0143	1				
D13	Brush Holder	083-0152	2	G31	Rail lock handle	102-0144	1				
D14	Carbon Brush 110-120V	083-0154	2	G32	Head spring	102-0145	1				
D15	Brush Holder Cover	083-0155	2	G33	Pin Stop- For Packaging	102-0146	1				
D202	Armature 65 Assembly 110-120V UK/USA	084-0050	1	G34	Rail positioning pin	102-0147	1				
				G35	Rail Pin Spring	102-0148	1				
E1	Arm	083-0160	1	G36	Rail positioning plate	102-0149	1				
E2	Arbour Locking Pin	083-0161	1	G37	Square Nut M10	F-NS-M10-ST-BO	1				

**Service Parts List**

**V: 102-0004**

**355mm Mitre Chop Saw (Steel)**

**120V  
US**